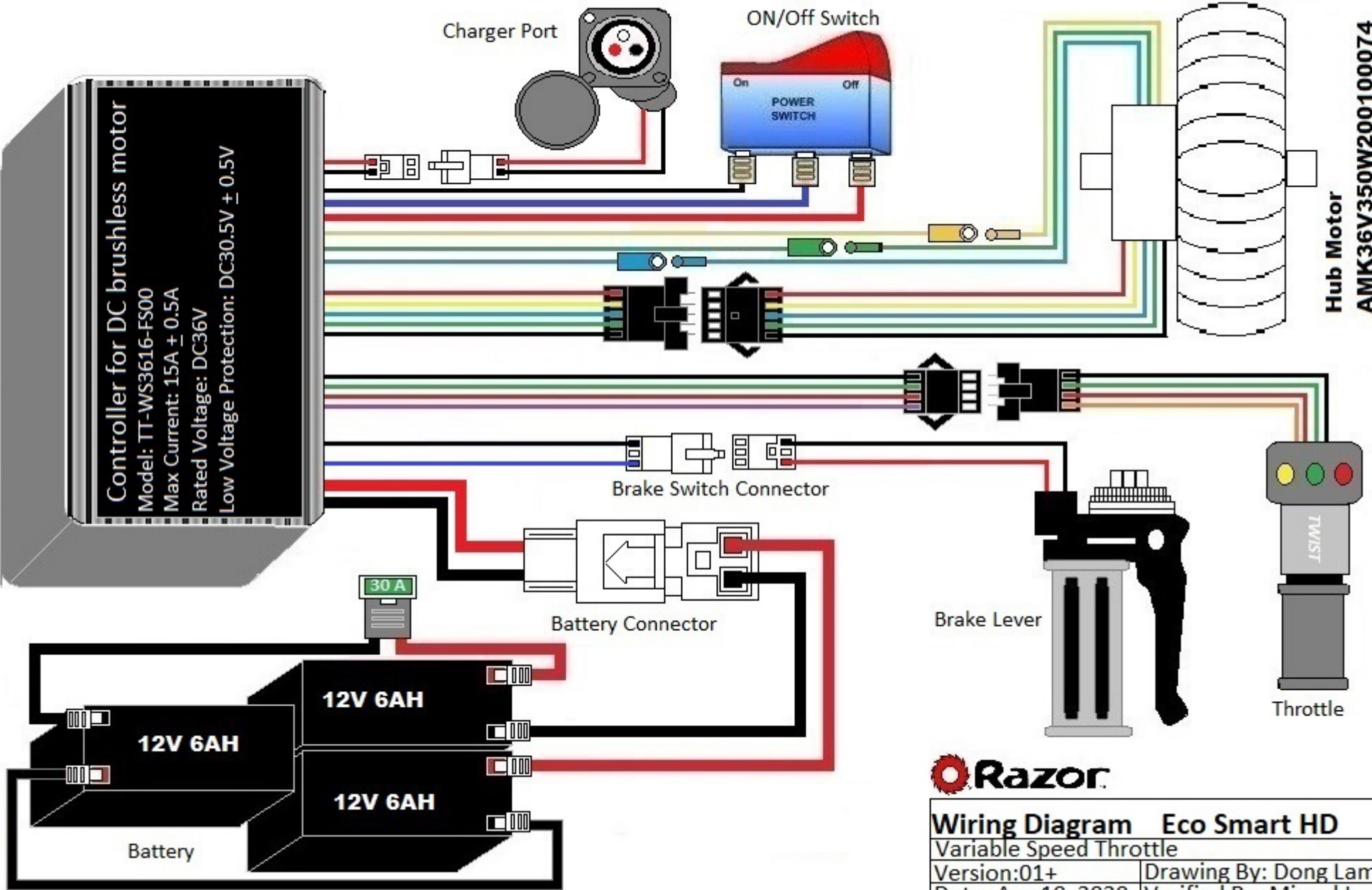


**Controller for DC brushless motor**  
 Model: TT-WS3616-F500  
 Max Current: 15A ± 0.5A  
 Rated Voltage: DC36V  
 Low Voltage Protection: DC30.5V ± 0.5V



**Wiring Diagram Eco Smart HD**  
 Variable Speed Throttle  
 Version:01+  
 Date: Aug 10, 2020

Drawing By: Dong Lam  
 Verified By: Miguel L